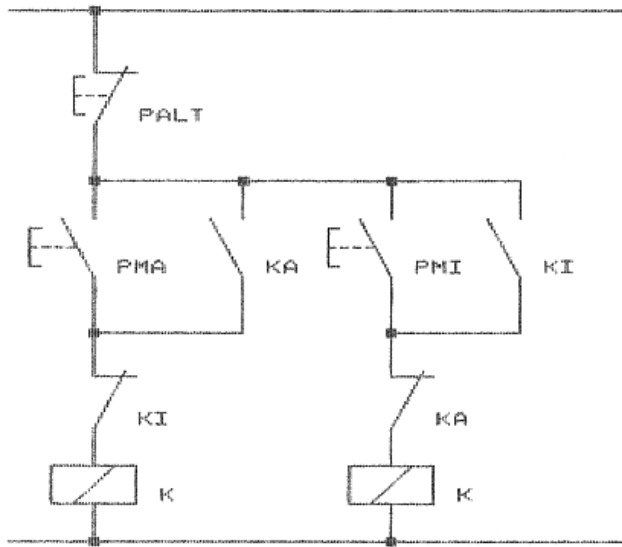
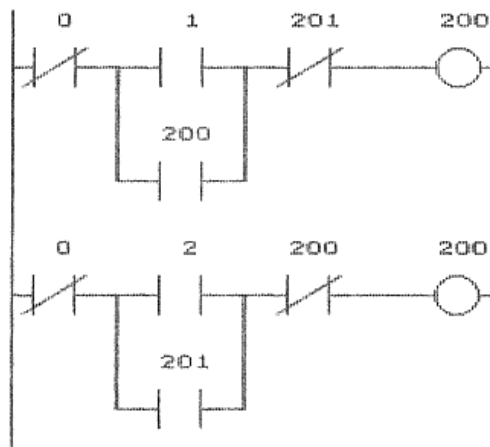


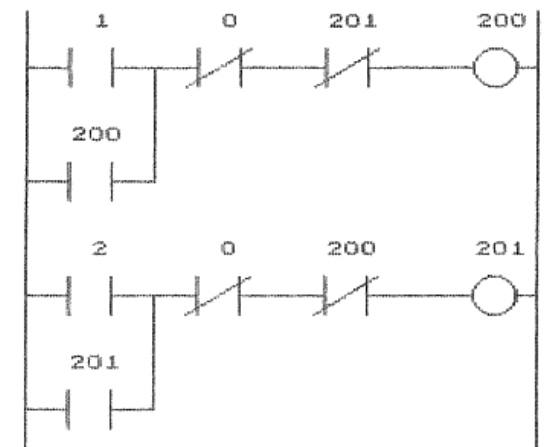
schema CEI



soluzione base



Ladder diagram



soluzione semplificata

Listato

Legenda

0	PALT
1	PMA
2	PMI
200	KA
201	KI

0	LOD	NOT	0
1	LOD		1
2	OR		200
3	AND	LOD	
4	AND	NOT	201
5	OUT		200
6	LOD	NOT	0
7	LOD		2
8	OR		201
9	AND	LOD	
10	AND	NOT	200
11	OUT		201
12	END		

0	LOD		1
1	OR		200
2	AND	NOT	0
3	AND	NOT	201
4	OUT		200
5	LOD		2
6	OR		201
7	AND	NOT	0
8	AND	NOT	200
9	OUT		201
10	END		
11			
12			